

# AFL3-W07A-AL

7-inch light industrial PoE touch panel PC with Intel® Celeron N3350 SoC



## Features

- » 7" WSVGA 1024 x600 TFT LCD
- » Fanless system with Intel® 14nm dual-core Celeron N3350 2.3GHz on-board SoC (up to 2.4GHz, TDP 6W)
- » 10-point PCAP multi-touch with anti-glare and anti-UV treatment
- » IEEE802.3 at/30W PoE PD power or 12V DC input
- » WLAN IEEE 802.11a/b/g/n/ac and Bluetooth® 4.1
- » Selectable AT/ATX power mode
- » Lightweight yet exceptionally strong plastic mechanism with high impact strength and thermal resistance
- » IP65-rated front panel for water and dust resistance

## Specifications

|                             |  |
|-----------------------------|--|
| System                      |  |
| Cooling method / System Fan | Fanless  |
| CPU                         | Intel® Celeron N3350<br>(2M Cache, up to 2.4 GHz) TDP 6W |
| Storage                     | 1 x M.2 B+M key PCIe 2242 (USB/SATA signal)              |
| Communication               |  |
| Bluetooth                   | Bluetooth V4.1   |
| Wireless                    | IEEE 802.11a/b/g/n/ac                                    |
| I/O Interface               |  |
| Ethernet                    | 2x PCIe GbE by Intel® i211 controller                    |
| Audio                       | AMP 2W (internal speaker)                                |
| Audio Codec                 | ALC269   |
| RAM                         | One 4GB DDR3L 204-pin SO-DIMM memory pre-installed       |
| Power                       |  |
| Power Requirement           | 12V , 3A   |
| Environment                 |  |
| Operating Temperature       | -20°C ~ 50°C   |
| Safety & EMC                | CE / FCC class A   |
| Humidity                    | 10% to 95% (non-condensing)                              |
| Storage Temperature         | -20°C~60°C   |
| IP Level                    | IP 65 compliant front panel                              |
| Weight                      |  |
| Weight                      | 0.73kg/1.81kg  |
| LCD                         |  |
| Size                        | 7"   |
| Resolution                  | 1024 x 600 (16:9)  |
| Brightness (cd/m2)          | 500  |
| Contrast Ratio              | 700:1  |
| LCD Color                   | 16.7M  |
| Pixel Pitch (mm)            | 0.1506 (H) x 0.1432 (V)                                  |
| Viewing Angle (H-V)         | 150° / 145°  |
| Backlight MTBF              | 20000 (LED backlight)                                    |
| Touch                       |  |

|                      |  |
|----------------------|--|
| Touch Screen         | Projected capacitive type with USB interface (anti-UV) |
| Touch Controller     | EXC80H60   |
| <b>I/O Interface</b> |  |
| I/O Interface        | 1 x AT/ATX Switch                                      |
|                      | 1 x Clear CMOS   |
|                      | 2 x USB 2.0  |
|                      | 2 x USB 3.2 Gen1x1                                     |
|                      | 2 x LAN (GbE)  |
|                      | 1 x Power Switch                                       |
|                      | 1 x Reset Button                                       |
|                      | 1 x Power In   |
| <b>OS Support</b>    |  |
| OS Support           | Microsoft Windows 10 / Windows 11, Linux               |

## Ordering Information

|                             |  |
|-----------------------------|--|
| AFL3-W07A-AL-N1/P/PC/4G-R10 | 7" 500cd/m2 1024x600 Panel PC with Intel® Celeron® Processor N3350 (6W) on-board Processor , on-baord POE at, 1*4GB DDR3L , 802.11a/b/g/n/ac WiFi module, PCAP touch,R10 |
|-----------------------------|--|

## Packing List

|                              |                            |
|------------------------------|----------------------------|
| 4 x Round head machine screw | 4 x Pan head machine screw |
| 1 x Power cord               | 1 x Power adapter          |

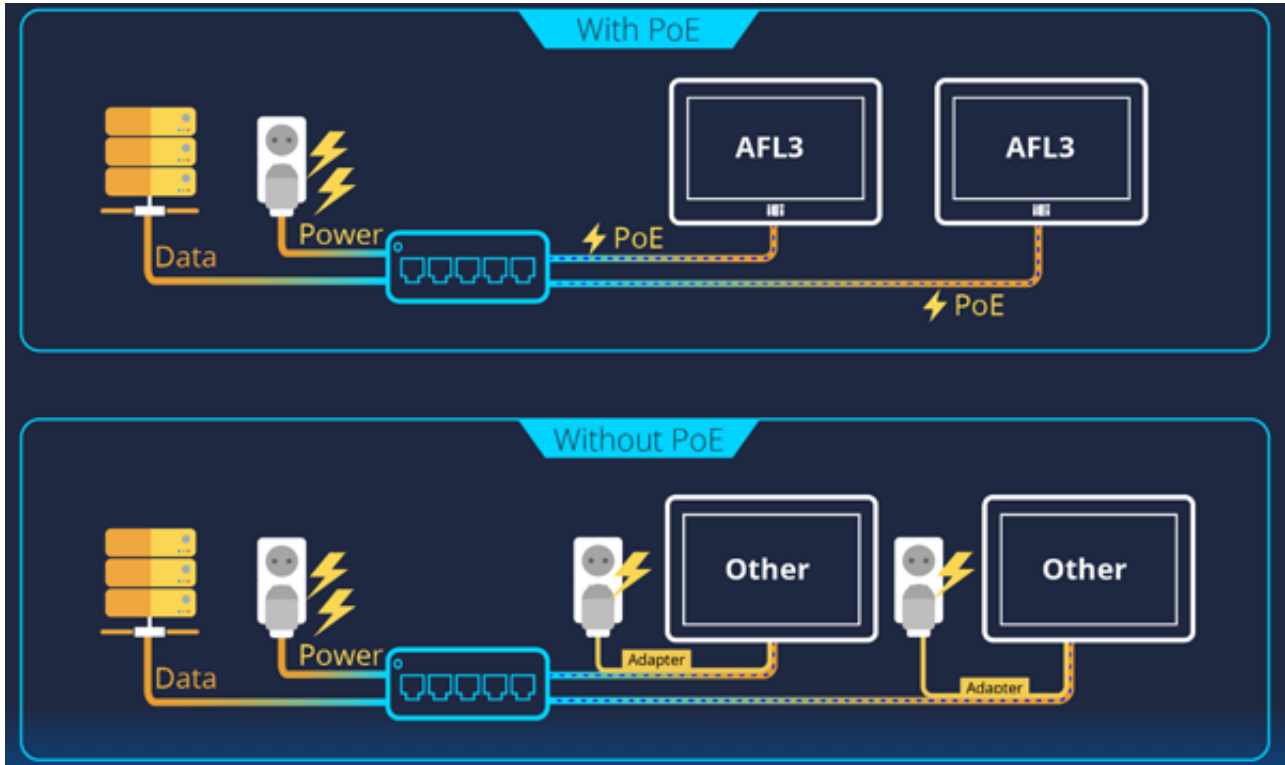
## Hardware Feature

The Intel® Celeron® processor J3455 Apollo Lake, empowers real-time computing in digital surveillance, new in-vehicle experiences, advancements in industrial and office automation, new solutions for retail and medical, and more. These processors are based on the Goldmont architecture, utilizing Intel's industry-leading 14 nm process technology.

| CPU microarchitecture | Bay-Trail          | Apollo lake            |
|-----------------------|--------------------|------------------------|
| Core Count            | Up to 4            | Up to 4                |
| GPU Graphics          | Intel® HD Graphics | Intel® HD Graphics 500 |
| EU Count              | up to 6 EU         | up to 12 EU            |
| Codecs                | DirectX 11         | DirectX 12             |
| Process technology    | 22 nm              | 14nm                   |

## IEEE 802.3 at Standard PoE PD Panel PC

PoE allows electronic devices to receive both power and data through one Ethernet plug-in, which means less cabling and less cost is required for factory automation.



## Multi-touch Screen for Industry

IEI's AFL3 series integrated with PCAP glass touch screen is extremely easy to clean and very resistant to scratches. Notes: The linen gloves touch function for optional



## -20°C ~ 50°C Fanless Design

---



## Suitable for Semi-outdoor Environment

---

IP65-rated front panel for water and dust resistance



## Anti-glare (AG) and UV-resistant Touch Screen

---

The screen features anti-glare and anti-UV coating, which can reduce the reflection rate from 8% to 1% and effectively slow the aging of the screen.



## Integrated I/O

