

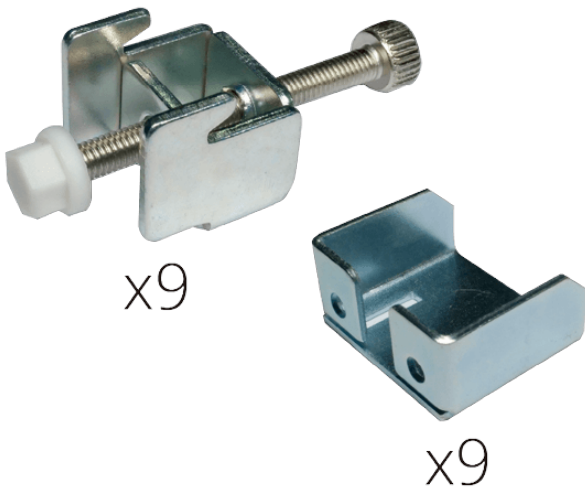
外设 > 安装套件和支架

FPK-01

A set of Panel Mounting Kit is composed of a clamp and screw

Features

Panel Mounting Kit



Specifications

Dimensions	
Dimensions	222 x 432 x 252 mm
Material	
Material	SPCC
Weight	
Weight	3.12 Kg
Key Features	
Key Features	9 mounting kits for DM-F12A, DM-F15A, DM-FW15A, DM-F17A

Ordering Information

FPK-01-R10	DM-F12A/15A/17A panel mount kit, silver color, R10
------------	--